

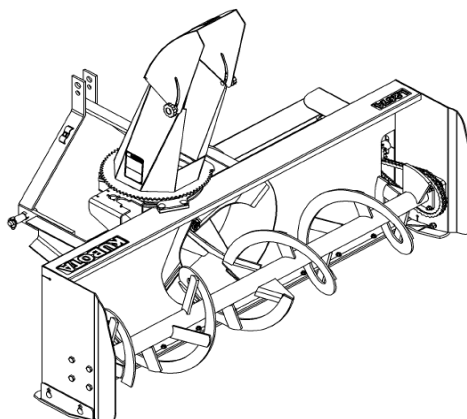
L2674 - 74" Rear mount snowblower

For:

L2800, L3400, L3130, L3430, L3830, L4330, L4630,
L5030, L39, L3940, L4240, L4740, L4740, L48,
L5040, L5240, L5740, MX5000, MX5100, M4900,
M5040, M59

FEATURES:

74" cutting width 2 stage snowblower
Chute and gear box kit included
Replaceable cutting edge
Optional manual or hydraulic chute rotation
Optional hydraulic chute deflector and electric selector valve kit or electric chute deflector
Optional width extensions (increases width by 5")



SPECIFICATIONS	
Total width	74"
Total height (without chute)	29 1/2"
Total length	42"
Cutting width	74"
Cutting height	27"
Frame thickness	11 Ga.
Side thickness	3/16"
Impeller back housing thickness	11 Ga.
Impeller side housing thickness	11 Ga.
Number of phases	2
Primary drive	Driveline 05 series
Auger drive	Chain #60
Driving sprocket	H60B10
Driven sprocket	60A32
Impeller drive	Gear box comer T281A ratio 1:1 (663485)
Driveline	05 series (662194)
Auger diameter	15"
Auger pitch	16 1/2"
Impeller diameter	24"
Impeller width	8 7/8"
Number of blades on impeller	4
Impeller R.P.M.	540 R.P.M.
Auger R.P.M.	170 R.P.M.
Chute position	Right
Chute rotation	Hydraulic or manual.
Adjustable deflector	Manual, hydraulic rotation
Adjustable skid shoes	Yes
Cutting edge	Replaceable
Number of shear bolts on auger	1 (on drive shaft)
Number of shear bolts on impeller	1 (on driveline)
Hitch system	Cat. 1 ASAE standard and ASAE quick hitch
Implement weight	560 Lbs
Approx. shipping weight	760 Lbs.
Recommended PTO HP	30 - 45 HP