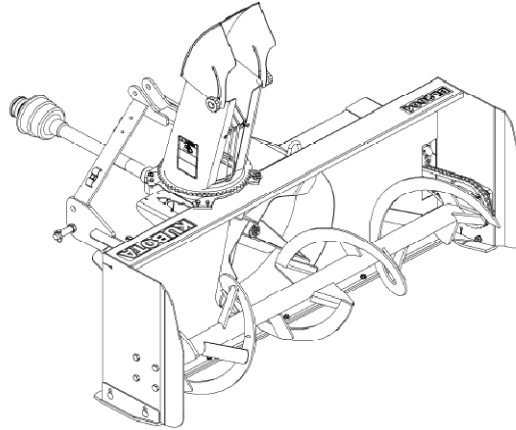


## BL2664 - 64" Rear mount snowblower

**For:**

**B2320, B2620, B2920, B2630, B3030, B2710, B2910, B7800, L2800, L3400, L3130, L3430, L3830, L4330, L39, L4630, L48, L5030, L3240, L3540 (All Models)**



**FEATURES:**

- 64" cutting width 2 stage snowblower
- Chute and gear box kit included
- Replaceable cutting edge
- Optional manual or hydraulic chute rotation
- Optional hydraulic chute deflector and electric selector valve kit or electric chute deflector
- Optional width extensions (increases width by 5")

SPECIFICATIONS	
Total width	64"
Total height (without chute)	29"
Total length	41"
Cutting width	64"
Cutting height	27"
Frame thickness	12 Ga.
Side thickness	3/16"
Impeller back housing thickness	12 Ga.
Impeller side housing thickness	12 Ga.
Number of phases	2
Primary drive	Driveline 04 series
Auger drive	Chain #60
Driving sprocket	H60B10
Driven sprocket	60A32
Impeller drive	Gear box comer T281A ratio 1:1 (663485)
Driveline	04 series (4700042)
Auger diameter	15"
Auger pitch	14 1/2"
Impeller diameter	24"
Impeller width	7"
Number of blades on impeller	4
Impeller R.P.M.	540 R.P.M.
Auger R.P.M.	170 R.P.M.
Chute position	Right
Chute rotation	Hydraulic or manual.
Adjustable deflector	Manual, hydraulic rotation
Adjustable skid shoes	Yes
Cutting edge	Replaceable
Number of shear bolts on auger	1 (on drive shaft)
Number of shear bolts on impeller	1 (on driveline)
Hitch system	Cat. 1 ASAE standard and ASAE quick hitch
Implement weight	450 Lbs
Approx. shipping weight	681 Lbs.
Recommended PTO HP	20 - 35 HP